



**7/01905**  
Locating plate



**1/27893**

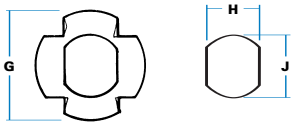
## ORDERING CODE

### 'De-luxe' specification

<b>1/27890</b>	'Deluxe' lock, 90°, mixed keys
<b>1/27893</b>	'Deluxe' lock, 90°, FS 880
<b>1/27900</b>	'Deluxe' lock, 180°, mixed keys
<b>1/27902</b>	'Deluxe' lock, 180°, FS 880

7/01905, spiked locating plate  
for fitting to wooden panels

Panel-piercing detail

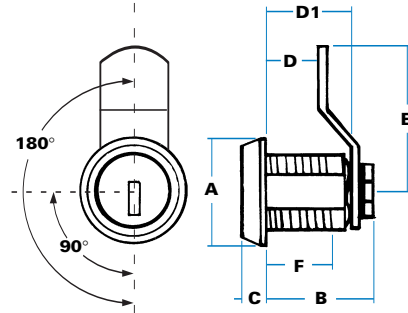


<b>G</b>	Diameter, locating plate	34 mm
<b>H</b>	Piercing, across flats	17.5 mm
<b>J</b>	Piercing, diameter	20 mm

Locating plate enables lock to be fitted into a round hole, especially with wooden panels. Latch bar must be removed for mounting

## SPECIFICATION

For clarity, retaining nut is not shown



<b>A</b>	Head diameter	26 mm
<b>B</b>	Total depth	28 mm
<b>C</b>	Head projection	6 mm
<b>D</b>	Depth to cranked latch	11 mm
<b>D1</b>	Body depth	19 mm
<b>E</b>	Height of bar	37 mm
<b>F</b>	Thread depth	15 mm

latch bar reversible, can be fitted at 45° intervals.

**7/01905** Locating plate, spiked

**5/00479** Locating plate, flat (steel)

**1/27847** Retaining nut (brass)

**7/03181** Neoprene gasket (black)



**9/00858**  
Finger-pull

Black, moulded design which improves access to cabinet door. Suits all models



**9/00066**  
Finger-pull

Chromium-plated, steel finger-pull for 'utility' applications.



**9/00928**  
Moulded weathershield

Black PVC cover for weather-protection. Suits all round-face locks. (Also see A11)



**5/01595**  
Moulded spacer

Useful where inside space is limited, raises lock 5mm above panel surface. Black nylon.

## COMPARTMENT LOCKS (19mm) - 'DE-LUXE' SPECIFICATION

These are simple, inexpensive locks used on all types of steel and metal enclosures, cabinets and panels. The diecast housing fits a 'double-D' piercing and is retained by a large hexagonal nut.

This is the original 'Wilmot Breedren' specification with several special features as noted. It is particularly suited for applications where vibration may be a problem.



Hex-bolt, lockwasher and device retention clip for secure assembly, spiked locating plate and 'cranked' latch bar as standard (illustrated). Chromium-plated.



90° or 180° rotation as shown. Note that key does not withdraw in unlocked (9 o'clock) position with 90° models.



'FS' keys as standard with 'shuttered' keyway. Optionally 'FT', '92' or 'DLP' key types.



Wide choice of latch bars, finish options and accessory items. Special key numbers or sets on request.

## ACCESSORY ITEMS

Illustrated here are some useful add-on accessory items for our compartment lock range.

