



9/00103

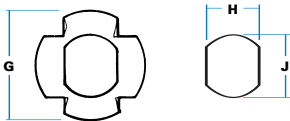
ORDERING CODE

'Standard' specification

- 9/00107 Compartment lock, 90°, mixed keys
- 9/00103 Compartment lock, 90°, FS 880
- 9/00108 Compartment lock, 180°, mixed keys
- 9/00105 Compartment lock, 180°, FS 880

7/01905, spiked locating plate for fitting to wooden panels

Panel-piercing detail

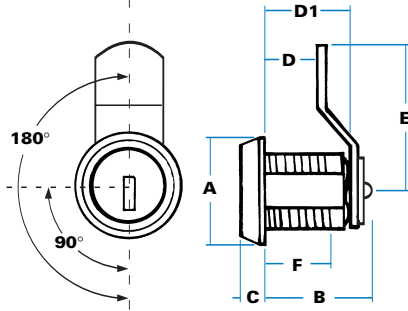


G Diameter, locating plate	34 mm
H Piercing, across flats	17.5 mm
J Piercing, diameter	20 mm

Locating plate must be ordered separately with this specification.

SPECIFICATION

For clarity, retaining nut is not shown



A Head diameter	26 mm
B Total depth	27 mm
C Head projection	6 mm
D Depth to cranked latch	11 mm
D1 Body depth	19 mm
E Height of bar	37 mm
F Thread depth	15 mm

latch bar reversible, can be fitted at 45° intervals.

Identical in most details to the 'deluxe' models, these locks have a simplified specification which enables them to be installed without need for dismantling latch bar.



90° or 180° rotation as shown. Note that key does not withdraw in unlocked (9 o'clock) position with 90° models.



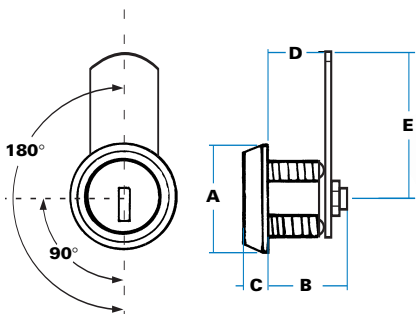
'FS' keys as standard with 'shuttered' keyway. Optionally 'FT', '92' or 'DLP' key types.



Chromium-plated as standard: black or zinc-plated to order.



Wide choice of latch bars, finish options and accessory items. Special key numbers or sets on request.



7/22931

SPECIFICATION

A Head diameter	26 mm
B Total depth	20 mm
C Head projection	6 mm
D Depth to latch	13 mm
E Height of bar	35 mm

Latch bar must be removed for mounting.

ORDERING CODE

- 7/22932 'Short body' lock, 90°, mixed keys
 - 7/22932/01 'Short body' lock, 90°, FS 880
 - 7/22931 'Short body' lock, 180°, mixed keys
 - 7/22931/01 'Short body' lock, 180°, FS 880
- Flat latch bar as standard, can be fitted at 45° intervals: Order locating plate separately.

'SHORT BODY' LOCKS (13mm)

Use these locks where depth is restricted, since body length is 7mm less than standard. It can be further reduced with optional moulded spacer under head.



90° or 180° rotation as shown. Note that key does not withdraw in unlocked (9 o'clock) position with 90° models.



'FS' keys only, with 'shuttered' keyway.

