



**TOOL-OPERATED  
COMPARTMENT  
LOCKS**

**[1/4-TURN FASTENERS]**

Two styles of 'quarter-turn' fasteners, using standard housings and fittings so they are interchangeable with key-operated models. Both are available in 19 mm & 30 mm lengths.

The 'recess-square' design allows relatively high turning force to be applied (using the 8 mm T-key). The 'coin-op' model is used as a convenient catch, opened with almost any coin or screwdriver blade.



90° rotation as shown. To special order locks can travel through 180°.



Bright chromium-plated as standard. Optionally, black or bright zinc-plated.



Wide choice of latch bars, finish options and accessory items.

**ORDERING CODE**

**7/35310** 'Coin-op' lock, 19 mm

**9/01385** 'Coin-op' lock, 30 mm

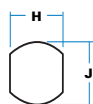
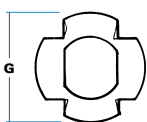
**9/01109** Recess-square lock, 19 mm

**9/01110** Recess-square lock, 30 mm

**9/00726** T-key for recess-square locks

7/1905, spiked locating plate for wooden panels

Panel-piercing detail



**G** Diameter, locating plate 34 mm

**H** Piercing, across flats 17.5 mm

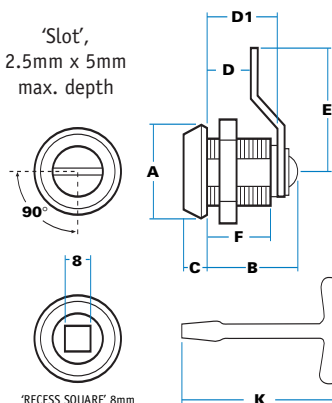
**J** Piercing, diameter 20 mm

**K** T-key, length 62 mm

Locating plate must be ordered separately with this specification. Latch bar reversible, can be fitted at 45° intervals.

**SPECIFICATION**

'Slot',  
2.5mm x 5mm  
max. depth



'RECESS SQUARE' 8mm

**A** Head diameter 26 mm

**B** Total depth 27 mm/38 mm

**C** Head projection 6 mm

**D** Depth to cranked latch 12 mm/23 mm

**D1** Body depth 19 mm/30 mm

**E** Height of bar 37 mm

**F** Thread depth 15 mm/30 mm



**9/00858  
Finger-pull**

Black, moulded design which improves access to cabinet door. Suits all models



**9/00928  
Moulded  
weathershield**

Black PVC cover for weather-protection. Suits all round-face locks. (Also see A11)

