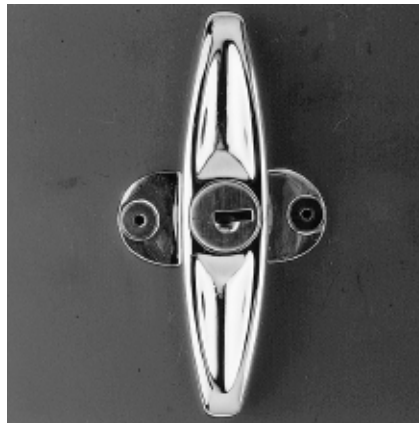


1/25515
'Lowline T' in 'Locked'
position, (above)

Handle in 'open' position,
(right), showing mounting
holes on 'open fix' models.



ORDERING CODE

With 40mm open-fixing

1/25515 'Lowline T', locking, chrome

1/25515/01 As above, FS880

1/25515B 'Lowline T', locking, black

1/25515B/01 As above, FS880

With 40mm concealed fixing

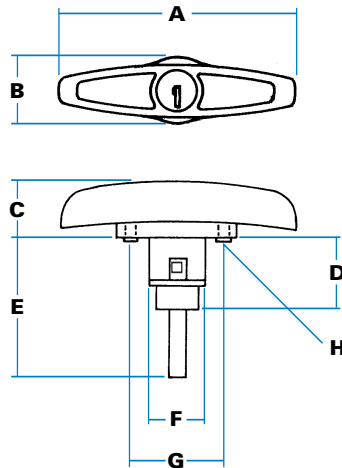
1/25517 'Lowline T', locking, chrome

1/25517/01 As above, FS880

1/25517B 'Lowline T', locking, black

1/25517B/01 As above, FS880

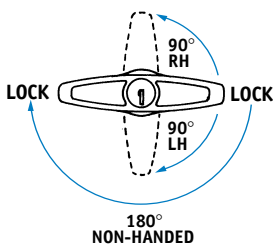
SPECIFICATION



A Handle length	97 mm
B Mounting width	28 mm
C Face height	23 mm
D Depth of handle boss	25 mm
E Shaft length	76 mm
F Diameter of boss	23 mm
G Hole centres	40 mm
H Hole sizes (open) dia.	5mm c/s 9mm

Concealed-fixing models have two threaded studs fitted into escutcheon, 10mm deep x 10-32 UNF. (Top face is plain).

ROTATION OF HANDLES



Handles operate through 180° as standard (non-handed). Rotation can be limited to 90° LH (clockwise) or 90° RH (anticlockwise). Handles will lock in horizontal position only.

WBH

'LOWLINE' MINIMAL-PROJECTION 'T' HANDLES

Sitting almost directly onto the panel surface, this design has absolutely minimum projection, avoiding risk of injury from the 'arms' of the T-handle.

With hidden mounting holes (or internal studs) it is ideal for roller shutters, vehicle side compartments and special cabinets.



180° as standard, rotation can be limited to 90°, LH/RH, or 360° free movement. Handle only locks in horizontal position.



Fix through countersunk holes (hidden when handle is locked), or with studs fitted to concealed-fixing models.



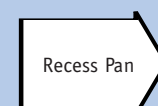
FS' keys as standard with 'shuttered' keyway, optionally 'FT', or 'DLP' key types.



Chromium plated or black powder coated.



- Shaft lengths
- Threaded shafts (M10)
- Special key numbers/sets
- 90° LH/RH rotation
- Fully-flush fitting using recess pan



Recess Pan



B3