



9/01902
Locking handle
with weathershield



9/01903
Non-locking handle



Double-sided 'FT'
Keys are standard

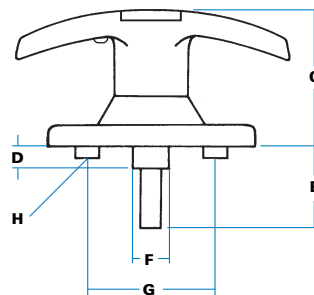
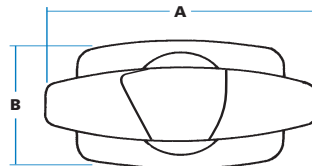
'HEAVY-T' HANDLES WITH WEATHERSHIELD

An unusual locking handle with sliding 'weathershield' plate which completely protects lock cylinder against entry of water and road debris. Made with heavy-section castings and large, concealed-fixing escutcheon, this new design provides improved durability for vehicle applications. Non-locking version available.

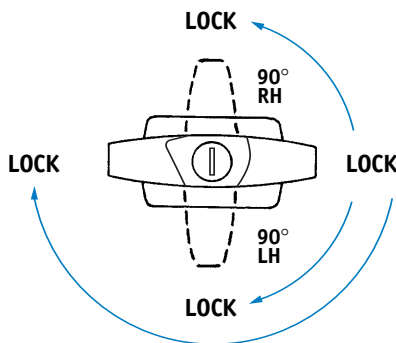
ORDERING CODE

- 9/01902** 'Heavy-T' handle, locking, chrome
9/01902/01 As above, FT111 keys, chrome
9/01903 'Heavy-T' handle, non-locking, chrome

SPECIFICATION



ROTATION OF HANDLES



Handles operate through 180° as standard (non-handed). To special order, rotation can be limited to 90° LH (clockwise) or 90° RH (anticlockwise). Handles will lock at each 90° position.

A Handle length	110 mm
B Mounting width	51 mm
C Face height	53 mm
D Depth of handle boss	10 mm
E Shaft length	63 mm
F Diameter of boss	25 mm
G Hole centres	51 mm
H Bosses, 3mm high, tapped M6 x 7mm	

Handle supplied with fixing bolts (MP00129) and neoprene gasket.



Lift 'weathershield' to insert key. Movement is 180° as standard, rotation can be limited to 90° RH/LH when required.



Concealed-fixing into two tapped bosses, using M6 bolts and neoprene gasket provided. Handle must be fitted with weathershield sliding upwards to reveal keyway.



'FT' double-sided keys as standard with 'shuttered' keyway. Optionally 'FS' or 'DLP' key types.



Exterior-grade chromium plating as standard.



- Shaft lengths
- Threaded shafts
- Special key numbers/sets
- 90° LH/RH rotation
- 'PSV' fitting

Heavy Duty
Cams

B22