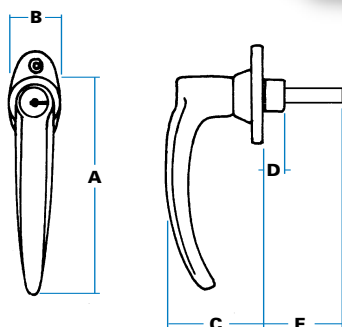




Single-sided 'FS'
keys only



1/14300
'Arched' Locking
Handle



ORDERING CODE

1/14300	'Arched' handle, locking, chrome (44mm)
1/14300/01	As above, FS880
1/14600	'Arched' handle, non-locking, chrome (44mm)
1/28902	'Arched' handle, locking, chrome (38mm)
1/28902/01	As above, FS880
1/28903	'Arched' handle, non-locking, chrome (38mm)

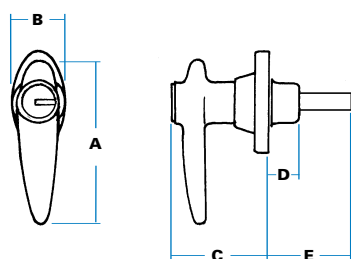
SPECIFICATION

A	Handle length	130 mm
B	Mounting width	32 mm
C	Face height	56 mm
D	Depth of handle boss	16 mm
E	Shaft length	125 mm

Fixing centres at 38mm & 44mm, standard.

'TRADITIONAL' HANDLES 'ARCHED' & 'SMALL-L'

Two other long-established designs, both have unusual lengths of 'lever' which make them suitable for special vehicle applications and for 'kit' and 'replicars'. Standard models are as shown, with alternative mounting escutcheons available, including concealed-fix options



1/13700
'Small L' Locking
Handle

ORDERING CODE

1/13700	'Small L', locking, chrome (35mm)
1/13700/01	As above, FS880
1/18140	'Small L', non-locking, chrome (35mm)

SPECIFICATION

A	Handle length	74 mm
B	Mounting width	30 mm
C	Face height	43 mm
D	Depth of handle boss	16 mm
E	Shaft length	125 mm

Fixing centres are 35mm (1.37 inch), standard.



Free rotation through 360°, locking at each 90° position.



Fix through countersunk holes or with studs on concealed-fixing versions. Neoprene gaskets provided.



FS' keys only, with shuttered keyway.



Chromium plated or black powder-coated.



- Shaft lengths
- Threaded shafts
- Special key numbers/sets
- 'Customised' keys
- Alternative mounting escutcheons
- Concealed fixing at 36mm & 40mm centres