



Single-sided 'FS' keys are standard

9/00172  
Non-locking 'L' with  
38mm concealed  
fixing



9/00167 Locking  
'L' with 38mm  
open-fixing

## ORDERING CODE

With 38 mm open-fixing

9/00167 Lever 'L', locking, chrome

9/00167/01 As above, FS 880 keys

9/00170 Lever 'L', non-locking, chrome

With 38 mm concealed-fixing

9/00171 Lever 'L', locking, chrome

9/00171/01 As above, FS 880

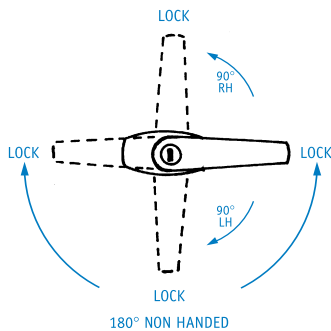
9/00172 Lever 'L', non-locking, chrome

With 44 mm open-fixing

9/00173 Lever 'L', locking, chrome

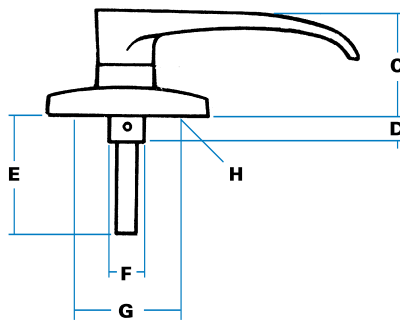
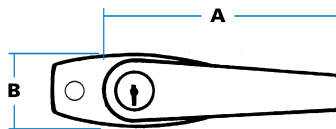
9/00173/01 As above, FS 880

9/00183 Lever 'L', non-locking, chrome

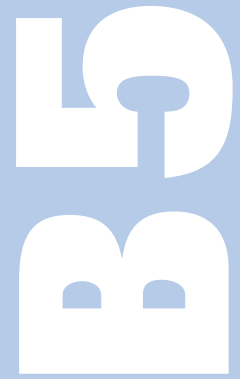


Handles operate through 180° as standard (non-handed). To special order, rotation can be limited to 90° LH (clockwise) or 90° RH (anticlockwise). Handles will lock at each 90° position.

## SPECIFICATION



<b>A</b> Handle length	115 mm
<b>B</b> Mounting width	33 mm
<b>C</b> Face height	42 mm
<b>D</b> Depth of handle boss	10 mm
<b>E</b> Shaft length	125 mm
<b>F</b> Diameter of boss	14 mm
<b>G</b> Hole centres	38/44 mm
<b>H</b> Hole sizes (open) dia.	5 mm, c/s 9 mm



## LEVER 'L' HANDLES WITH SURFACE MOUNTING

Good-looking handles with rectangular, surface-mounted escutcheons for either open- or concealed-fixing. Lock cylinders are "shuttered" for weather-resistance and there is choice of 38 mm (1.5 inch) or 44 mm (1.75 inch) hole centres



180° as standard, rotation can be limited to 90°, LH/RH, or 360° free-movement.



Fix through countersunk holes, or with concealed-fixing models use screws provided (M4 x 8 mm) to secure from beneath. Neoprene gasket provided.



'FS' keys as standard with 'shuttered' keyway optionally 'FT' or 'DLP' key types.



Chromium plated or black powder coated



- Shaft lengths
- Threaded shafts (M10)
- Special key numbers/sets
- 90° LH/RH rotation
- Spring-return, LH/RH



Use with latching cams, slam latches or rod systems.

