



9/03440

Oval paddle with hook-latch



"FT" double-sided keys  
as standard

9/00406  
Loop striker in  
stainless steel



## ORDERING CODE

9/03440 Oval paddle, hook-latch, locking

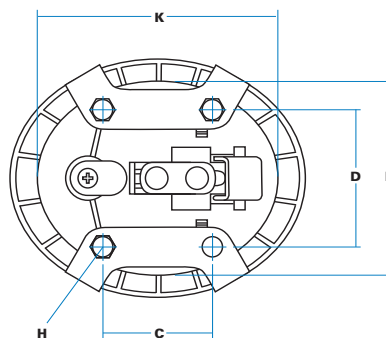
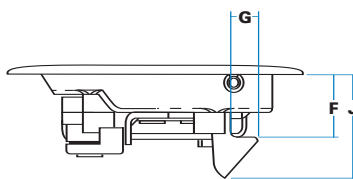
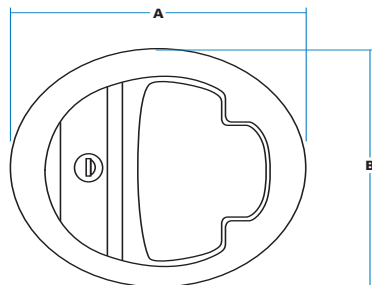
9/03440/01 As above, standard keys FT111

9/00406 Loop striker (stainless steel)

## SPECIFICATION

<b>A</b> Case length	150 mm
<b>B</b> Case width	120 mm
<b>C</b> Fixing centres	56 mm
<b>D</b> Fixing centres	70 mm
<b>E</b> Hook width (not shown)	22 mm
<b>F</b> Hook penetration	30 mm
<b>G</b> Hook engagement	12 mm
<b>H</b> Hole sizes	M6 x 10 mm
<b>J</b> Maximum depth	53 mm
<b>K</b> Recess length	120 mm
<b>L</b> Recess width	100 mm

## SPECIFICATION



By re-shaping the 'paddle' latch concept, we have created a stylish new range that will meet the evolving needs of equipment designers for more attractive door furniture

## 'OVAL' PADDLES HOOK-LATCH MODELS

Our new 'Oval' paddles have superb appearance and are quick and easy to install. Made in tough, self-coloured moulded materials for corrosion resistance, they are flush-fitting and have no visible mounting points.

The 'hook-latch' design incorporates a spring-loaded stainless steel 'hook' that projects vertically from the back of the paddle case rather than the conventional slam-bolt. This gives a much smoother action – doors close easily, and do not 'bounce back'. The loop striker (also in stainless steel) ensures positive engagement which resists vibration.

As door closes the ramped face of the hook meets striker and is forced laterally. Once closed, the spring action secures hook under striker loop.

'Deadbolt' action, so that when key cylinder is locked, both flap and hook are held rigid. Paddles will not slam in locked condition.

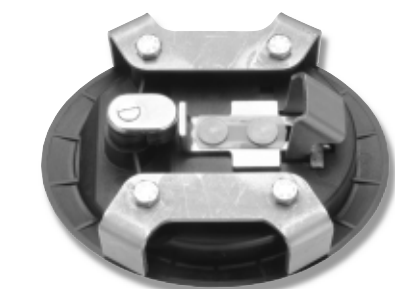
Unit fits through aperture, is clamped against panel by two shaped brackets, and secured by bolts into four threaded bosses. Gasket provided.

Double-sided 'FT' keys with shuttered keyway, or optionally 'FS' keys.

Black, self-coloured, with lightly-textured finish.

Case & flap in glass-filled nylon, mild steel components are yellow-zinc plated for corrosion resistance.

Alternative, deeper hook (F= 44mm). Special key numbers and sets.



Rear view, illustrating clamping brackets and securing bolts (gasket not shown).

Note: Request drawings for panel cut-out aperture. Striker dimensions shown on page C7.