

**9/02028**  
(in stainless steel)



Double-sided "FT" keys  
as standard



## 'DEEP-DISH' PADDLES, SLAM-BOLT MODELS

By providing a deeper, longer case and relocating the lock cylinder, these 'paddles' allow easy and unimpeded access by a gloved hand. They are highly suited to larger doors and heavy items of plant. Mild steel or stainless models, non-handed.

**!** Deep dish (30 mm) with internal finger-shield and beaded edge on flap for easy operation. Stainless locking bolt slides on carrier, giving protection against flap being forced. Low-profile lock with double-sided key cylinder as standard.

**W** Slam action against door frame or striker, released by lifting flap.

**U** Locking with key blocks movement of flap, but slam bolt can still be slammed and opened from inside.

**M** Pierced rim, internal welded studs, or plain rim with mild steel models (for weld-on fixing). Gasket supplied.

**K** 'FT' keys as standard, with shuttered keyway. Optionally, 'FS', '92', 'DLP' or 'Ronis' key types. Non-locking models.

**P** Polished stainless steel, or mild steel, clear zinc-plated. Optionally, black powder-coated finish.

**M** With stainless models, all components made in Grade 304. With mild steel models, case and flap in CR4 with mild steel slam bolt.

**?** Alternative slam bolts (length, profile). Inside release knob.

**T** Tested to destruction, paddle flap withstood a direct load of 42Nm (2.45kN). Equivalent to a 'pull' of 245kg (540lbs).  
Endurance (cycle) testing: The latch was slammed/opened for over 50,000 cycles with no discernable wear.

### ORDERING CODE

**Stainless models with pierced rim**

**9/02028** Deep-dish paddle, locking

**9/02028/01** As above, FT111

**9/02029** Deep-dish paddle, non-locking

**Mild steel models with plain rim**

**9/02006** Deep-dish paddle, locking

**9/02006/01** As above, FT111

**9/02007** Deep-dish paddle, non-locking

**Mild steel models with pierced rim**

**9/02008** Deep-dish paddle, locking

**9/02008/01** As above, FT111

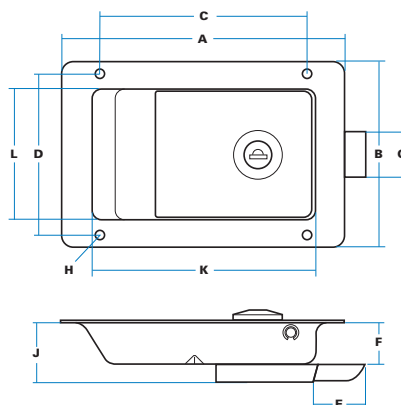
**9/02009** Deep-dish paddle, non-locking

Blind-mounting models have four studs (M6x10mm) welded on inside rim. Consult engineering drawing for position of studs

#### Reverse-flap paddle

Our revolutionary 'reverse-flap' design allows the paddle to be mounted at bottom of a top-hinged door. see page C14

### SPECIFICATION



<b>A</b> Case length	170 mm
<b>B</b> Case width	110 mm
<b>C</b> Hole centres	100 mm
<b>D</b> Hole centres	99 mm
<b>E</b> Bolt projection (max)	28 mm
<b>F</b> Bolt depth	30 mm
<b>G</b> Bolt width	19 mm
<b>H</b> Hole sizes (dia)	7 mm
<b>J</b> Maximum depth	44 mm
<b>K</b> Recess length	142 mm
<b>L</b> Recess width	82 mm