



9/02039
2-way full set (using stainless centre case, end latches and links).

ORDERING CODE

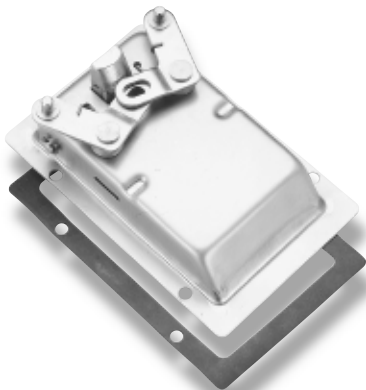
Stainless models with pierced rim (& gasket)

- 9/02038** 2-way paddle centre, locking
- 9/02038/01** 2-way paddle centre, FT111
- 9/02039** 2-way paddle system, locking
- 9/02039/01** 2-way paddle system, FT111
- 9/02036** 2-way paddle centre, non-locking
- 9/02037** 2-way paddle system, non-locking

Mild steel models with pierced rim (& gasket)

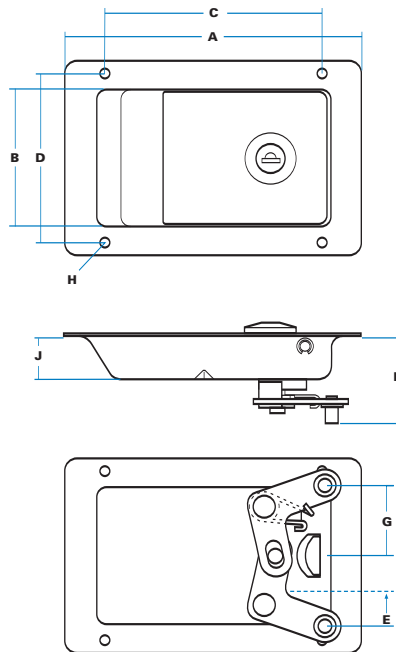
- 9/02048** 2-way paddle centre, locking
- 9/02048/01** 2-way paddle centre, FT111
- 9/02049** 2-way paddle system, locking
- 9/02049/01** 2-way paddle system, FT111
- 9/02046** 2-way paddle centre, non-locking
- 9/02047** 2-way paddle system, non-locking

Consult sales office for 'blind-mount' models



The 2-way linkage arms and rivets are made in stainless steel. The linkage bars are retained by cotter pin and washers provided.

SPECIFICATION



E 'Travel' of link point (each side)	15 mm
F Depth of link points	50 mm
G Location of link points	47 mm

All other dimensions as for 'deep-dish' paddle case (C11)



Standard linkage bar 3/12497 (915mm) used for 2-way slam system. Piercing allows 'quick fit' attachment of latches and free movement when centre is locked. Cut other end to suit.

315

'DEEP-DISH' PADDLES, 2-WAY MODELS

With this design the paddle case has an integral 2-way mechanism, allowing it to be used for slam systems on larger doors, fitted vertically or horizontally. Order as centre units only, or as full system.

! Deep dish (30 mm) with internal finger-shield and beaded edge on flap for easy operation. Stainless locking bolts slides on carrier, giving protection against flap being forced. Low-profile lock with double-sided key cylinder as standard.

W Latches slam against sides of door frame or strikers, released by lifting flap.

↕ Locking with key blocks flap, but end latches are still free to operate using 'free movement' aperture in link bar.

≡ Pierced rim, internal welded studs, or plain rim with mild steel models (for weld-on fixing). Gasket supplied.

🔑 'FT' keys as standard, with shuttered keyway. Optionally, 'FS', '92', 'DLP' or 'Ronis' key types. Non-locking models.

🔧 Polished stainless steel, or mild steel, clear zinc-plated. Optionally, black powder-coated finish.

M With stainless models, all components made in Grade 304. With mild steel models, case and flap in CR4 with mild steel slam bolt.

? Alternative end latches. 'Reverse flap' models.