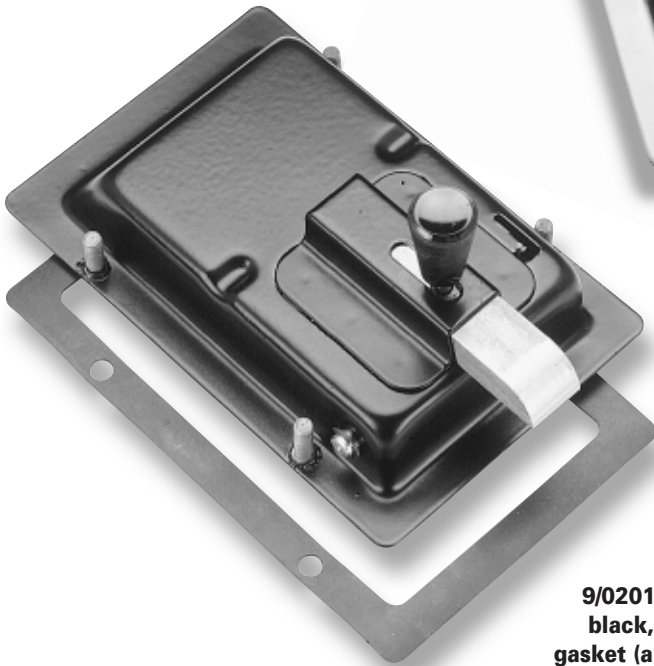


'Reverse-flap' models
see facing page



9/02010B/IR Slam-bolt, black, with studs and gasket (also shows optional inside release knob).

'DEEP-DISH' PADDLES, WITH STUDS FOR BLIND-MOUNTING

This page illustrates an optional method of fixing from within, which gives a neat appearance, more resistant to corrosion and physical interference. 'Blind-mounting' is available with all operating models.

ORDERING CODE

Stainless models (slam-bolt), with studs

9/02030	Deep-dish paddle, locking
9/02030/01	As above, FT111
9/02031	Deep-dish paddle, non-locking

Mild steel models (slam-bolt), with studs

9/02010	Deep-dish paddle, locking
9/02010/01	As above, FT111
9/02011	Deep-dish paddle, non-locking

Stainless models (hook-latch), with studs

9/02024	Deep-dish paddle, locking
9/02024/01	As above, FT111
9/02025	Deep-dish paddle, non-locking

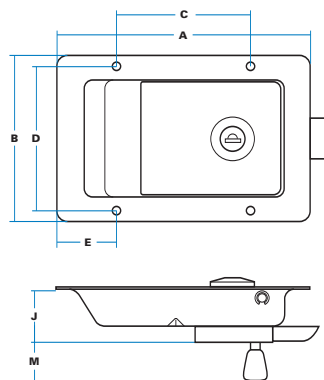
Mild steel models (hook-latch), with studs

9/02004	Deep-dish paddle, locking
9/02004/01	As above, FT111
9/02005	Deep-dish paddle, non-locking

A knob for inside release can be fitted to all slam-bolt models. This operates even when paddle has been locked from outside.

Add suffix "IR" to part number.

SPECIFICATION



A Case length	170 mm
B Case width	110 mm
C Stud centres	90 mm
D Stud centres	99 mm
E Location	40 mm
J Maximum depth	44 mm
M Knob height	35 mm

Blind-mounting models have four studs (M6x15mm) welded on inside rim. All other dimensions shown on Page C11.

! Deep dish (30 mm) with internal finger-shield and beaded edge on flap for easy operation. Stainless locking slide on carrier, giving protection against flap being forced. Low-profile lock with double-sided key cylinder as standard.

W Slam-bolt or hooked latch operation. Also see 2-way models.

M Plain rim with internal welded studs for concealed fixing ('blind-mounting'). Gasket supplied.

K 'FT' keys as standard, with shuttered keyway. Optionally, 'FS', '92', 'DLP' or 'Ronis' key types. Non-locking models.

F Polished stainless steel, or mild steel, clear zinc-plated. Optionally, black powder-coated finish.

M With stainless models, all components made in Grade 304. With mild steel models, case and flap in CR4 with mild steel slam bolt.

? Alternative release knob on slam-bolt models. Reverse flap models.