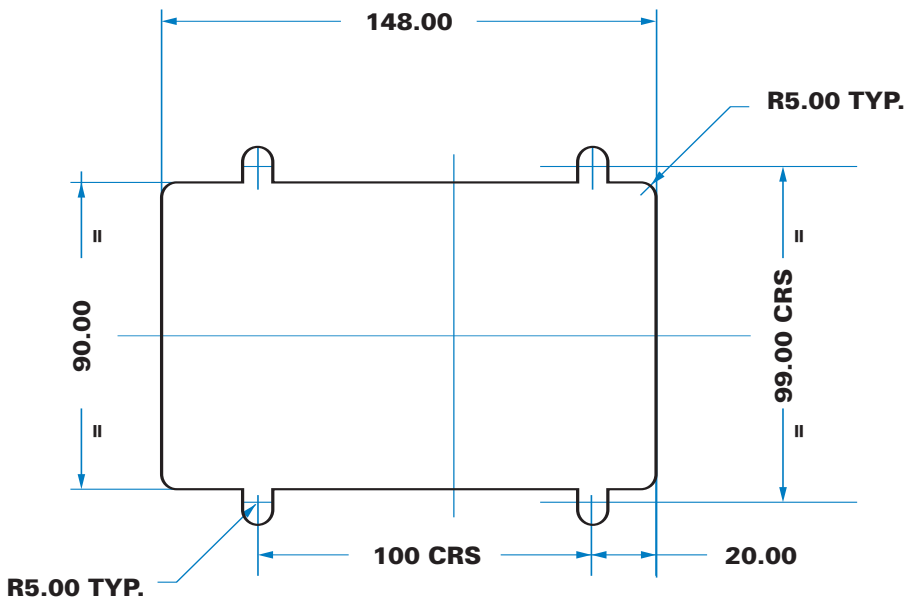


**Standard panel cut-out, 'Open-fix'
or 'Blind-mount' models**



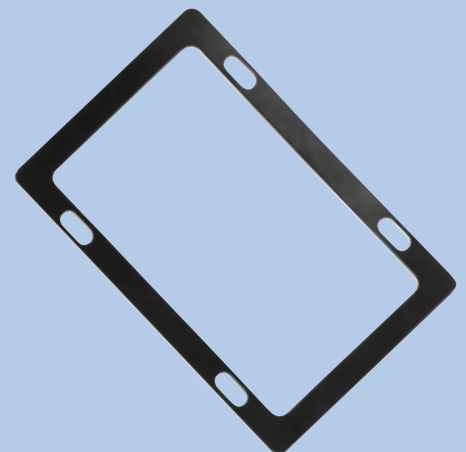
**'DEEP-DISH'
PADDLES,
STANDARD
PANEL-PIERCING
DIMENSIONS**

The illustrations show recommended panel-piercing dimensions for all 'deep-dish' paddles, both locking and non-locking models.

Open fixing versions can be mounted using M6 or 1/4 inch dome-headed bolts, (or equivalent rivets) and appropriate washers and securing nuts. Concealed-fixing versions have 4-off weld studs M6 x 15mm, at same positions.

Recommended maximum torque for securing weld-studs is 4.5Nm (3.3ft-lb)

'Deep-dish' paddles, non locking versions are also available



Gaskets are provided with all models.