



**9/01621**  
**2-way slam**  
**latch system**

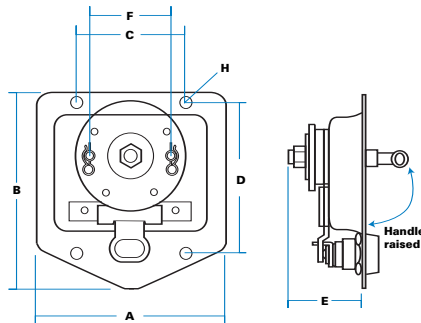
**ORDERING CODE**

- 9/01621** 2-way Drop-T slam system, stainless case, mixed differ.
- 9/01621/01** As above FS880
- 9/01622** 2-way Drop-T slam system, mild steel case, mixed differ.
- 9/01622/01** As above FS880
- 9/01623** 2-way centre only, stainless, mixed differ.
- 9/01623/01** As above FS880
- 9/01624** 2-way centre, mild steel, mixed differ.
- 9/01624/01** As above FS880
- 3/18702** Rod only, 1145mm

Non-locking models also available.

Slam systems include end-latches and (flat) link bars, normally in mild steel.

**SPECIFICATION**



<b>A</b> Width of pan	120 mm
<b>B</b> Length of pan	125 mm
<b>C</b> Hole centres	69 mm
<b>D</b> Hole centres	95 mm
<b>E</b> Max depth	45 mm
<b>F</b> Fixing centres	52 mm
<b>H</b> Hole sizes (dia)	7.5 mm

**'DROP-T'**  
**2-WAY MODELS**

With multi-point versions the centre latching tongue can be removed to provide 2-way action only. The centre case can then be used with rods, or with standard end latches as illustrated. Adjustable for either LH or RH movement.

**!** Polished diecast 'hub', and neoprene seal under stainless 'cup' washer for good appearance, corrosion-resistance and weatherproofing.

**W** Use with 10mm rods as a 'deadbolt' latch or with end-latches and link bars as a 2-way slam system.



**'Drop-T' with flip-up**  
**moulded cap 9/00928**

To order, add suffix "/MC" to our normal part number.



**'Drop-T' with sliding**  
**weathershield cover,**  
**using lock 7/08996**

To order, add suffix "/WS" to our normal part number.

**'DROP-T' WITH**  
**'WEATHERSHIELD'**  
**LOCKS**

Where additional protection is desired for the lock cylinder, the 'drop-T' can be fitted with a protective cover. Two styles are available, either a sliding diecast plate (chrome) or a moulded flip-up cap illustrated. They can be used with all 'drop-T' models.