



Right hand centre (3/12507), shown with attachment points fully extended.

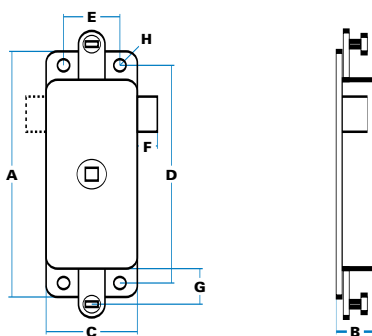
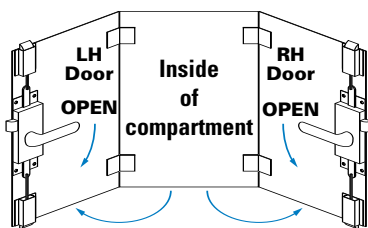
2-way centre (3/12508) is identical, but without centre bolt.

2/3-WAY SLAM CENTRES

An exceptionally neat and compact unit which is used to make up 2-way or 3-way slam systems. 'Quick-fit' attachment points on case allow link bars to be quickly and easily attached, (generally with slam latches 3/22387). The integral slam-bolt provides centre-latching when fitted.

LEFT AND RIGHT 'HANDS'

A new, left-hand version has recently been developed to suit European and U.S. requirements where fittings are normally on the left-side rear doors.



Standard linkage bar 3/12497, used on 3-way slam system

ORDERING CODE

3/12506	3-way slam centre, LH
3/12507	3-way slam centre, RH
3/12508	2-way slam centre (non-handed)
3/12497	Linkage bar (915mm)

SPECIFICATION

A Length	127 mm
B Height	19 mm
C Width	45 mm
D Hole Centres	114 mm
E Hole Centres	28 mm
F Bolt projection	11 mm
G Length	Extended 21 mm Withdrawn 14 mm
H Hole Sizes (diameter) c/s 8 mm	Ø 5.5 mm

Follow bush accepts 8 mm square shaft from both sides.

Rotation 40° to fully withdraw centre bolt and links, direction of rotation as shown in diagrams.

Materials: Case and follow bush, zinc diecastings. All other components are mild steel.



System can be slammed-shut even when an exterior handle is in 'locked' position. Attached slam bolts (adjustable) will return links to extended position.



Rotation of follow-bush (as shown) withdraws slam bolt fully into case, also withdraws links by 7mm at each end, which operate (attached) slam latches. Unit is 'handed' by position of centre bolt and by direction of rotation of follow-bush (and operating handle).



Yellow zinc-plated as standard. Optionally, case can be polished and chromium plated.



Centre-bolt omitted for 3/12508. Bolt can be reversed or extended to special request but bolt will withdraw to 11mm only.