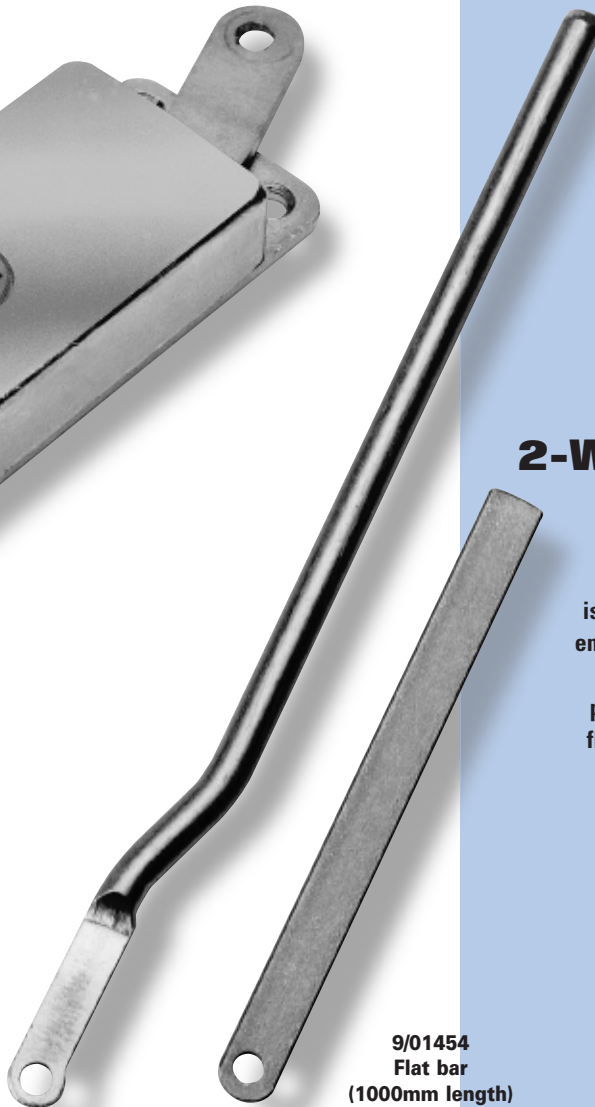


9/01050
Centre case only
(shown with links
fully extended)

1/29624
Round rod
(1100mm length)



9/01454
Flat bar
(1000mm length)

2-WAY DEADBOLT MECHANISM

A 2-way 'conformity' latch that is narrower and more completely enclosed than standard 2-way rod latches, with easily accessible points for attachments of rods or flat bars and fully in-line 'throw'.

Used for roller shutters, compartments and larger doors.

ORDERING CODE

| | |
|----------------|----------------------------------|
| 9/01050 | 2-way centre case only |
| 9/01051 | 2-way centre c/w rods |
| 1/29624 | Rod only, 9.5mm dia. x 1100mm |
| 9/01454 | Flat bar 13 x 3mm, length 1000mm |

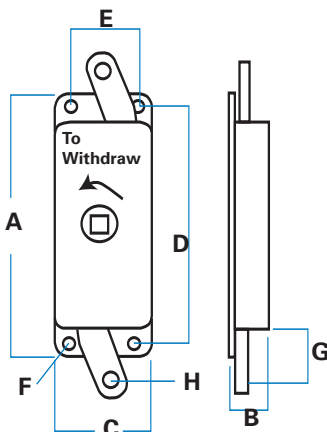
SPECIFICATION

| | |
|--|-----------------------------------|
| A Length | 127 mm |
| B Height | 19 mm |
| C Width | 45 mm |
| D Hole Centres | 114 mm |
| E Hole Centres | 28 mm |
| F Holes Sizes (Diameter), c/s 8mm | 5.5 mm |
| G Length Of Links | Extended 35 mm Withdrawn 20 mm |
| H Hole Size | 7 mm |

Follow bush accepts 8mm square shaft from both sides.

Rotation 90° anti-clockwise to fully withdraw links.

Materials: Case and follow bush, zinc diecastings. All other components are mild steel.



Centre bush drives links positively, no spring-return action is involved.



Rotation of follow-bush 90° anti-clockwise will withdraw links by 15 mm. Clockwise rotation extends links and holds them in place by over-centre action.



Four countersunk holes in backplate (5.5 mm, c/s 8 mm) secure unit to panel.



Yellow zinc-plated as standard. Optionally case can be polished and chromium plated.



Full system supplied with 9.5 mm rods attached as 9/01051. Flat bars can be supplied separately or fully-attached as required. Centre case can be fitted with captive 8mm square shaft and permanently-attached inside handle.