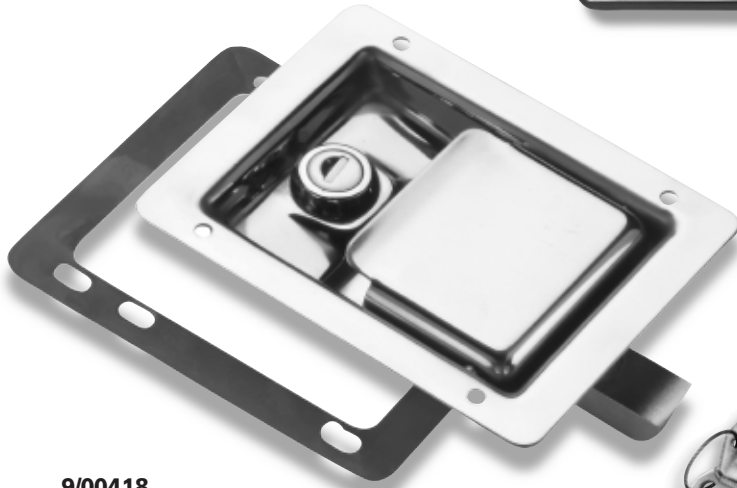




9/00408
(non-locking)
stainless steel



9/00418
(locking)
stainless steel



Single-sided
'FS' keys
are standard



The 'Paddle' concept provides an attractive, fully self-contained lock/latch, which is flush fitting and simple to install

'PADDLES' SLAM-BOLT MODELS

These are slam-action paddles using a machine-cut solid bolt. Stainless models have pierced rim, mild steel models are normally supplied with plain, unpierced rim for weld-on installation if required

ORDERING CODE

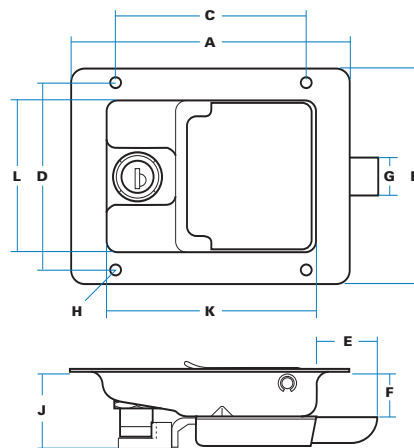
Mild steel models, with plain rim & gasket

9/00419	Slam-bolt paddle, locking
9/00419B	As above, black
9/00419/01	As 9/00419, FS880 standard keys
9/00419B/01	As above, black
9/00420	Slam-bolt paddle, non-locking
9/00420B	As above, black

Stainless models with pierced rim & gasket

9/00418	Slam-bolt paddle, locking
9/00418/01	As 9/00418, FS880 standard keys
9/00408	Slam-bolt paddle, non-locking

SPECIFICATION



A Case length	140 mm
B Case width	108 mm
C Hole centres	95 mm
D Hole centres	94 mm
E Bolt projection (max)	28 mm
F Bolt depth	22 mm
G Bolt width	19 mm
H Hole sizes (diameter)	5 mm
J Maximum depth	40 mm
K Recess length	105 mm
L Recess width	76 mm

! Precision, machine-cut solid steel slam-bolt, heavy duty slide and locking cam, mirror finish on case/flap and no sharp edges. Moulded gasket supplied.

W Slam action against door frame or striker, released by lifting flap.

U Locking with key blocks movement of flap, but slam bolt is still free to operate and can be opened from inside ("Deadlocking" is a special option).

M Stainless models have pierced rim as shown or internal welded studs, with moulded gasket. Mild steel models normally have plain rim (for weld-on mounting).

K 'FS' keys as standard with shuttered keyway. Optionally 'FT', '92' or 'DLP', key types. Non-locking models as shown.

F Polished stainless steel or mild steel, clear zinc-plated. Optionally, black powder-coated finish.

M With stainless models, all components made in Grade 304 other than slam-bolt (stainless to special order). With mild steel models, case & flap made in CR4.

? See opposite page for options available

Panel-piercing

See page C10 for details of panel cut-out required