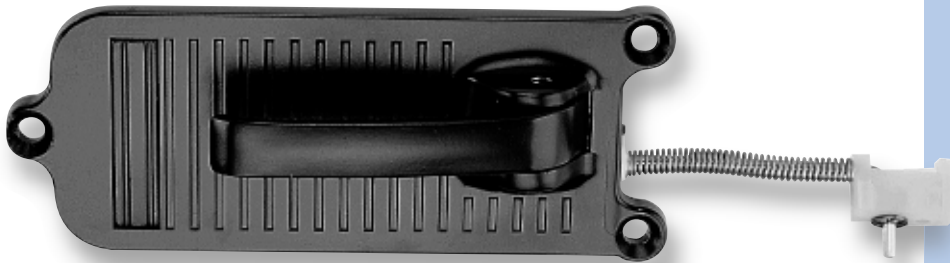




'WASHBOARD' INSIDE RELEASE HANDLES



9/01597 (RH)
illustrated



1/26650B (RH)
illustrated, showing
safety flap in
'locked' position

The 'washboard' release represents an evolutionary stage between conventional 'rotary' inside handles and fully-flush designs. It is a diecast unit with a 'pull-out' handle that affords good grip, while sitting low against the side of the vehicle when in rest position.

Originally made for luxury cars it also suits trucks and buses and can be supplied with or without safety flaps as illustrated.

! Semi-plant-on design for easy installation, 'snap-in' connection, cushioned action, can be polished and plated to high standards of finish.

W Lift flap to withdraw latch connection point 'X'. Safety flap (when fitted) operates separate connecting link to door latch, and blocks main flap.

M Handle is fitted to inside door skin, link rods are attached, and trim panel is applied over ends of handle to conceal bolts.

P Black powder-coated as standard, optionally bright chromium-plated.

M Zinc diecastings with steel connecting links.

? Alternative connectors.

+ Anti-burst latches (pages D20-21)

ORDERING CODE

1/26650B 'Washboard', with safety, RH, black

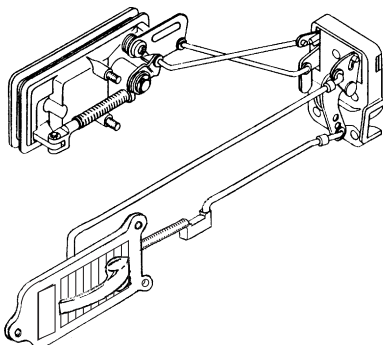
1/26649B 'Washboard', with safety, LH, black

9/01597 'Washboard', no safety, RH, black

9/01596 'Washboard', no safety, LH, black

Installation of 'washboard' release

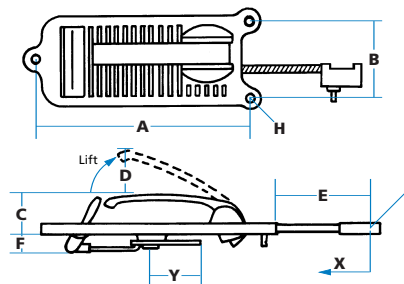
Illustration shows right-side handle with fully interconnected action through door latch to outside handle. With original scheme a push-button exterior handle was used.



'Handing'

Separate base castings, handed by position of connection points and release handle.

SPECIFICATION



A Length (between centres)	155 mm
B Width (between centres)	53 mm
C Max height (at rest)	28 mm
D Max. travel	50 mm
E Location to 'J'	75 mm
F Max. depth	15 mm
H Hole sizes	6 mm (dia) c/s 12 mm
J Hole size (dia)	3.5 mm
X Travel of latch release	15 mm
Y Travel of lock release	22 mm

Note: Lock release lever 'Y' has two attachment points, allowing for adjustment of linkages on site.

Linkage clips



3/13390
Suits
4.75 mm dia. hole

1/26869-70

Suits 5.5 mm dia. hole

All accept standard connecting rod.