



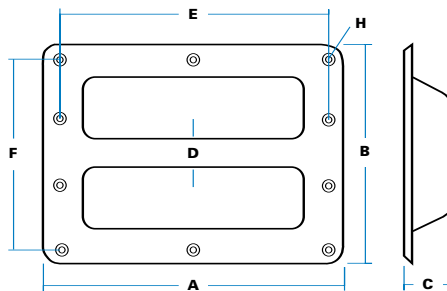
9/01389/01
Grab Handle

ORDERING CODE

9/01389/01 Flush-fit grab handle- black

SPECIFICATION

A Length	230 mm
B Width	170 mm
C Depth	30 mm
D Strap width	22 mm
E Hole centres	203 mm
F Hole centres	153 mm
H Hole sizes (diameter)	5 mm, 10 mm recess



Consult engineering drawing for details of hole positions. Frame in 2 mm galvanised steel.



9/01115
Grab Handle

ORDERING CODE

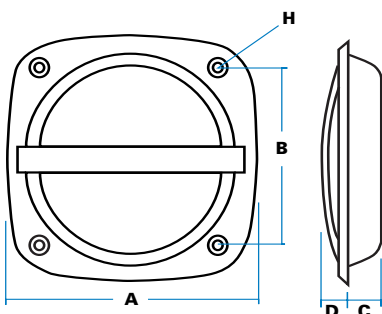
9/01115 Semi-flush handle-black

5/00939 Moulded gasket

SPECIFICATION

A Width	125 mm
B Centres	90 mm
C Depth	16 mm
D Height	10 mm
H Holes (diameter)	5 mm, C/S 9 mm

Inside diameter of pan 105 mm. Edges are embossed



FLUSH-FIT STEEL GRAB HANDLE
encapsulated in
synthetic rubber (TPE)

A fully-recessed grab handle, large enough to receive a gloved hand. The unit is completely corrosion-resistant and shaped to allow run-off of water (spray, etc.). It is suitable for large commercial vehicles and trailers, etc.

! Galvanised steel frame with resilient moulded covering for user-friendly feel.

🔧 Smooth, semi-gloss finish. Standard colour is black.

🔩 Fixing through recessed holes in rim, use stainless steel or plated screws/rivets to avoid corrosion stains.

T **LOAD TESTING:**
Rig testing parallel to fixings achieved loads of over 6.00KN (610Kg) before significant distortion. We recommend a Safe Working Load of 200Kg (440lb)

THERMAL TESTING:
Cycled between +15°C & -30°C without embrittlement. Does not soften below +70°C.

SEMI-FLUSH STEEL HANDLE

This model uses the same recess pan as our 'T' handle sets, 9/00186 etc, with a 10mm steel 'strap' welded across the recess to provide a strong, neat, semi-flush handle, Black finish, gasket supplied separately