

1/20550
Grab Handle

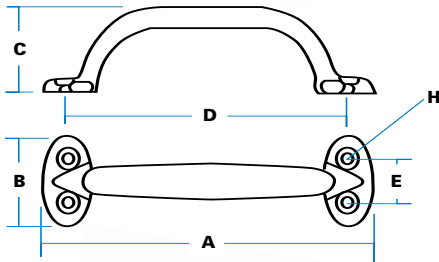


ORDERING CODE

1/20550 'Traditional' grab handle chrome

SPECIFICATION

A Total Length	165 mm
B Width (max)	41 mm
C Height (max)	46 mm
D Hole centres	140 mm
E Hole centres	19 mm
H Hole sizes (diameter)	5 mm, c/s 10 mm



**'TRADITIONAL'
GRAB HANDLE**

Traditionally-styled handle for plant-on fitting. Hand-polished and chromium plated to a very high standard. Other finishes to special order.

7/28362
Grab Handle



ORDERING CODE

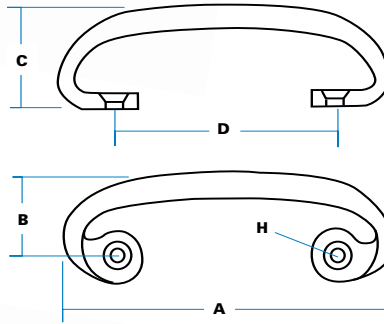
7/28362 'C' handle - chrome

7/28363 'C' handle - black

7/28364 'C' handle - raw finish

SPECIFICATION

A Total Length	155 mm
B Width (offset)	45 mm
C Height (max)	48 mm
D Hole centres	105 mm
H Hole sizes (diameter)	7 mm, c/s 11 mm



**'C - TYPE'
GRAB HANDLE**

Exceptionally strong handle with constant-section to avoid areas of weakness found in competitors' models. Hand-polished and chromium plated to very high standard. Also in black and raw finish

1/20574
Grab Handle

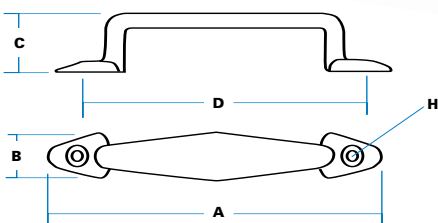


ORDERING CODE

1/20574 Lowline grab handle, chrome

SPECIFICATION

A Total Length	168mm
B Width (max)	23mm
C Height	30mm
D Hole centres	140mm
H Hole sizes (diameter)	7 mm, c/s 11 mm



**'LOWLINE'
GRAB HANDLE**

A traditional design with shaped 'grip' area, and with low, flat styling for minimal projection. Hand polished and chromium plated to very high standard.