



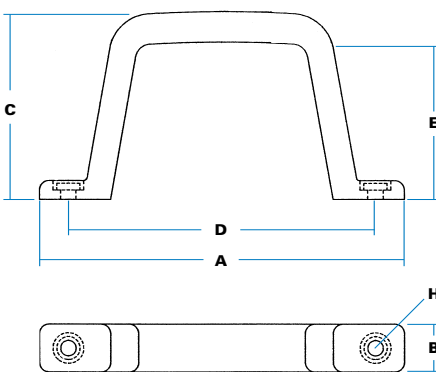
'HIGH-GRIP' MOULDED STEEL- CORED HANDLE

Made in same length and construction as 9/00404, this model suits applications where exceptionally high grip is desirable. For example, where handle is fitted within a compartment so that much of its height is hidden by the door frame. Other uses include trailers and caravans, or inside service vehicles where unimpeded access is essential.

9/00403
'High-grip' handle with
steel core

ORDERING CODE

9/00403 'High-grip' handle, black



SPECIFICATION

A Body length	190 mm
B Body width	25 mm
C Body height	98.5 mm
D Hole centres	160 mm
E Under grip	82.5 mm
H Hole sizes (diameter) within 15 mm dia. recess	8mm



Semi-rigid surface, no hard edges, textured finish with "snap-in" plugs to conceal mounting details.



Self-colour black with textured finish. Other colours subject to batch quantities.



Fixing by bolting through 8 mm holes in steel core and cover with plugs provided.



Moulded in thermoplastic elastomer around steel core.



Rig testing parallel to fixings achieved loads of over (500 Kg) before significant distortion. We recommend a safe working load of 250 Kg (550 lbs.) max.

After fixing it is recommended that cover plugs are permanently retained with a suitable adhesive.

Replacement plugs are available as part reference 5/00538B.